

Load Bus Sync™ Extender/Adapter for Dual Bus UPS

Installation Manual

120V-277VAC, 45-65Hz



TABLE OF CONTENTS

| | | |
|------------|--|----------|
| 1.0 | GENERAL | 1 |
| 2.0 | INSTALLATION | 2 |
| 2.1 | Liebert NX UPS to Liebert NX UPS | 2 |
| 2.2 | Liebert NX UPS to Non-Liebert NX UPS | 3 |

FIGURES

| | | |
|----------|---|---|
| Figure 1 | LBS Adapter dimensions | 1 |
| Figure 2 | Horizontal installation | 1 |
| Figure 3 | Vertical installation | 1 |
| Figure 4 | Connecting a Liebert NX to a Liebert NX | 2 |
| Figure 5 | Connecting a Liebert NX to a non-NX UPS | 3 |

TABLES

| | | |
|---------|---|---|
| Table 1 | Human interface—indicators and switches | 3 |
| Table 2 | Electrical rating | 3 |
| Table 3 | Part number description | 3 |

1.0 GENERAL

Liebert's Load Bus Sync (LBS) Extender/Adapter for Dual Bus UPS is designed to extend the LBS function, up to 150m (492 ft.) between Liebert NX series uninterruptible power system (UPS) modules of a dual bus system (DBS). The adapter also enables a Liebert NX UPS to synchronize with other UPS models.

Figure 1 LBS Adapter dimensions

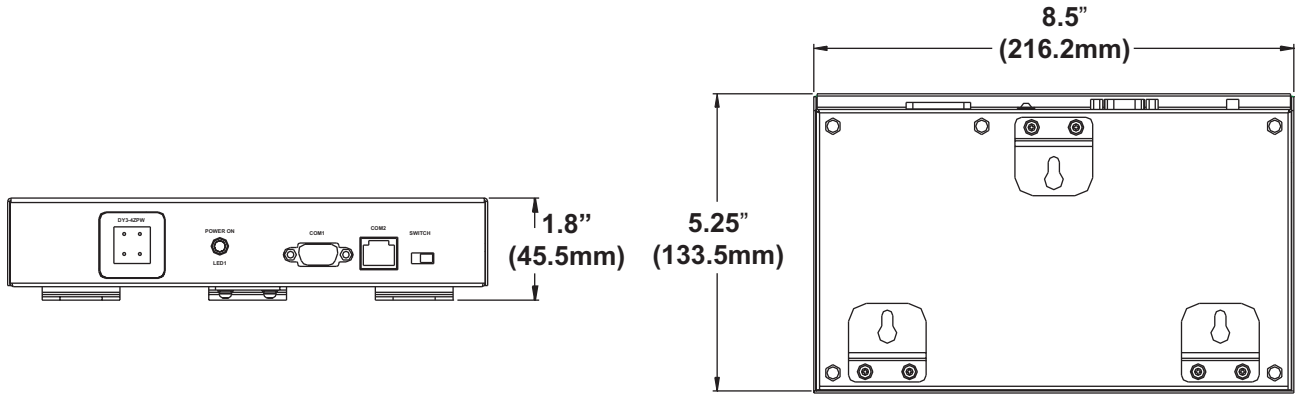


Figure 2 Horizontal installation

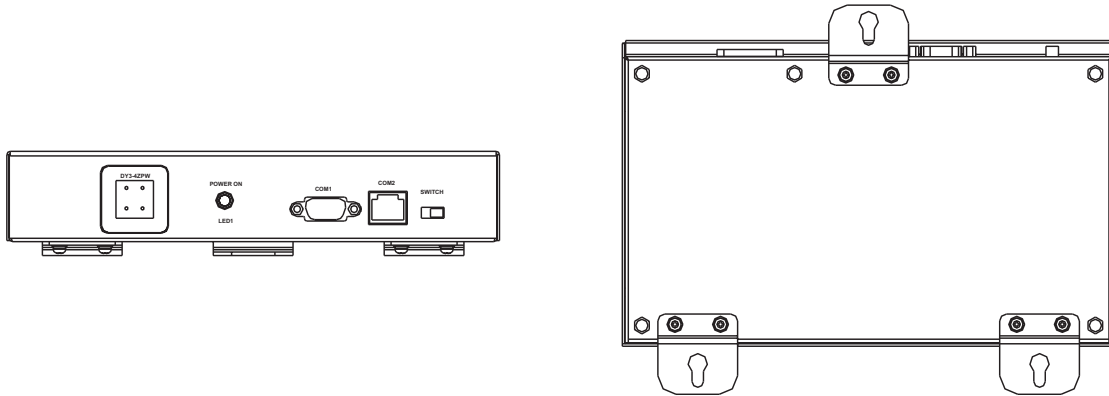
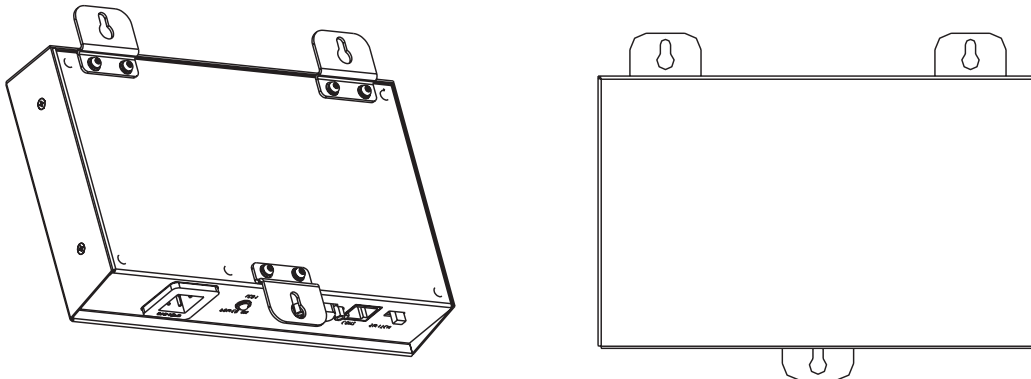


Figure 3 Vertical installation



2.0 INSTALLATION

2.1 Liebert NX UPS to Liebert NX UPS

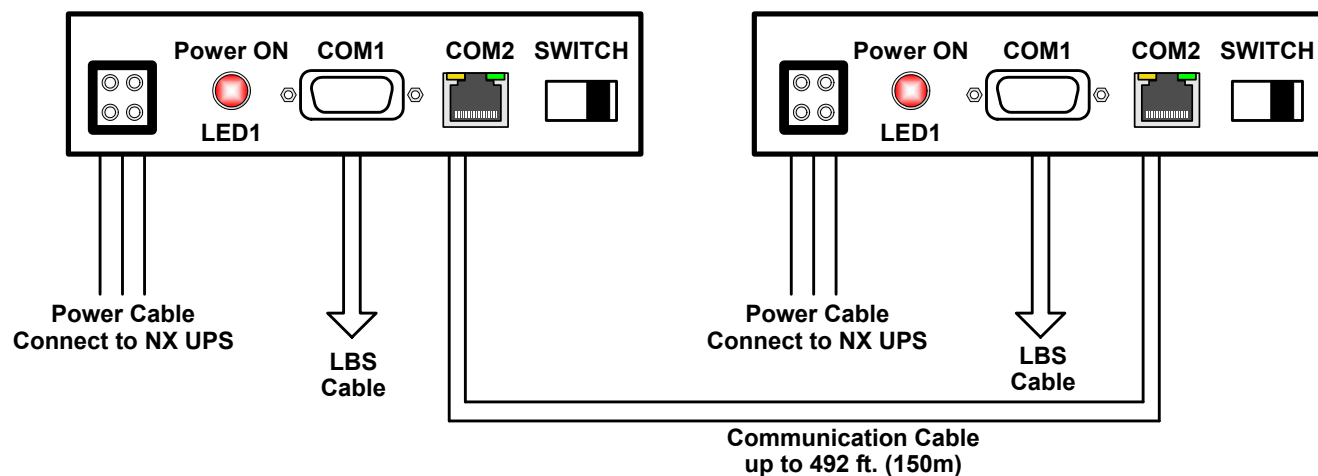


WARNING

Installation by qualified electrical personnel only—hazardous voltage may be present at the UPS output connectors.

1. Connect the power cables of the adapter to the Phase A, Neutral and Ground output of each UPS.
2. Connect the LBS cable to COM1 of each LBS Signal Adapter.
3. Connect the other end of each LBS cable to X4 on the parallel board (UHW241M3) in the NX UPS.
4. Connect the communication cable (up to 492 ft. [150m]) to the COM2 interface of each LBS Signal Adapter.
5. The switch of both LBS signal adapters should be in the **right** position (see **Figure 4**).

Figure 4 Connecting a Liebert NX to a Liebert NX



2.2 Liebert NX UPS to Non-Liebert NX UPS

WARNING

Installation by qualified electrical personnel only—hazardous voltage may be present at the UPS output connectors.

1. Connect the power cables of the adapter to the Phase A, Neutral and Ground Output of each UPS.
2. Connect the LBS cable to COM1 of the LBS Signal Adapter connected to the Liebert NX.
3. Connect the other end of the LBS cable to X4 on the parallel board (UHW241M3) in the NX UPS.
4. Connect the communication cable (up to 492 ft. [150m]) to the COM2 interface of each LBS Signal Adapter.
5. The switches of LBS signal adapters connected to the Liebert NX should be in the **right** position and the switches of LBS signal adapters connected to the non-NX UPS should be in the **left** position (see **Figure 5**).

Figure 5 Connecting a Liebert NX to a non-NX UPS

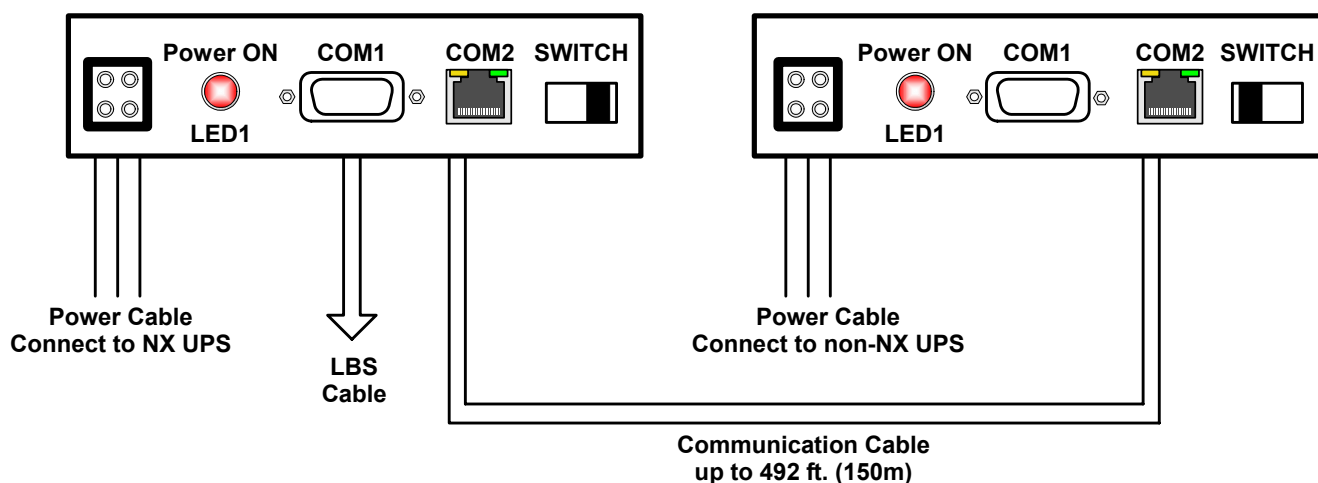


Table 1 Human interface—indicators and switches

| Item | Description |
|------------|---|
| Power port | Connect to Phase A, Neutral and Ground of output of UPS. |
| LED1 (red) | Power LED. It illuminates when the power is on, turns off when the power fails. |
| COM1 | LBS Signal interface. Connect to NX series UPS unit. |
| COM2 | RS485 interface. Connect to other Signal Adapter. Green LED: Communication Power is OK. Yellow LED: Adapter is connected to Non NX series UPS. |
| SWITCH | Switch to left: Connect to Non-NX series UPS unit. Switch to right: Connect to NX series UPS unit. |

Table 2 Electrical rating

| Description | Rating |
|-------------|-------------|
| Voltage | 120V-277VAC |
| Frequency | 45-65HZ |
| Current | 0.2A Max |

Table 3 Part number description

| Description | Part Number |
|---------------|--------------|
| 150 Meter Kit | NX150MLBSKIT |
| 50 Meter Kit | NX050MLBSKIT |

The Company Behind the Products

With over a million installations around the globe, Liebert is the world leader in computer protection systems. Since its founding in 1965, Liebert has developed a complete range of support and protection systems for sensitive electronics:

- Environmental systems—close-control air conditioning from 1 to 60 tons
- Power conditioning and UPS with power ranges from 300 VA to more than 1000 kVA
- Integrated systems that provide both environmental and power protection in a single, flexible package
- Monitoring and control—from systems of any size or location, on-site or remote
- Service and support through more than 100 service centers around the world and a 24/7 Customer Response Center

While every precaution has been taken to ensure the accuracy and completeness of this literature, Liebert Corporation assumes no responsibility and disclaims all liability for damages resulting from use of this information or for any errors or omissions.

© 2006 Liebert Corporation
All rights reserved throughout the world. Specifications subject to change without notice.

® Liebert and the Liebert logo are registered trademarks of Liebert Corporation. All names referred to are trademarks or registered trademarks of their respective owners.

SL-25247 (2/06) Rev. 0

Emerson Network Power.

The global leader in enabling Business-Critical Continuity.

- | | | |
|--------------------|--------------------------------|--------------------------------|
| ■ AC Power Systems | ■ Embedded Power | ■ Outside Plant |
| ■ Connectivity | ■ Power Protection | ■ Precision Cooling |
| ■ DC Power Systems | ■ Integrated Cabinet Solutions | ■ Site Monitoring and Services |

Technical Support/Service

Web Site
www.liebert.com

Monitoring
800-222-5877
monitoring@liebert.com
Outside the US: 614-841-6755

Single-Phase UPS
800-222-5877
upstech@liebert.com
Outside the US: 614-841-6755

Three-Phase UPS
800-543-2378
powertech@liebert.com

Environmental Systems
800-543-2778

Outside the United States
614-888-0246

Locations

United States
1050 Dearborn Drive
P.O. Box 29186
Columbus, OH 43229

Italy
Via Leonardo Da Vinci 8
Zona Industriale Tognana
35028 Piove Di Sacco (PD)
+39 049 9719 111
Fax: +39 049 5841 257

Asia
7/F, Dah Sing Financial Centre
108 Gloucester Road, Wanchai
Hong Kong
852 25722201
Fax: 852 28029250

EmersonNetworkPower.com